

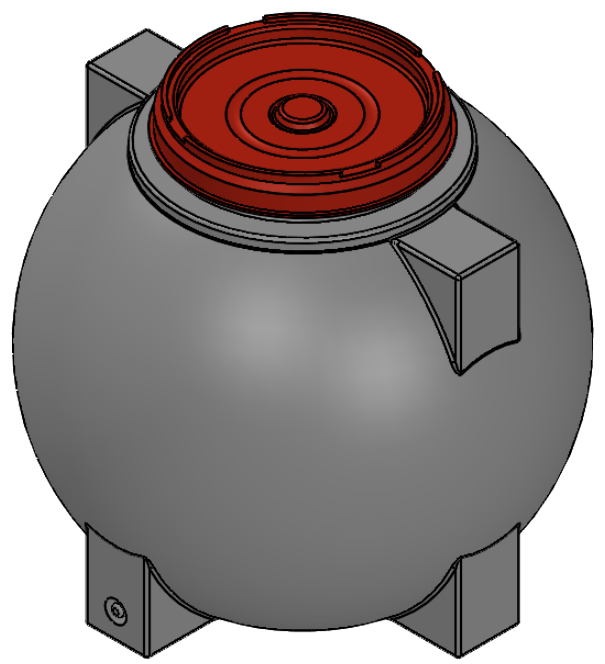
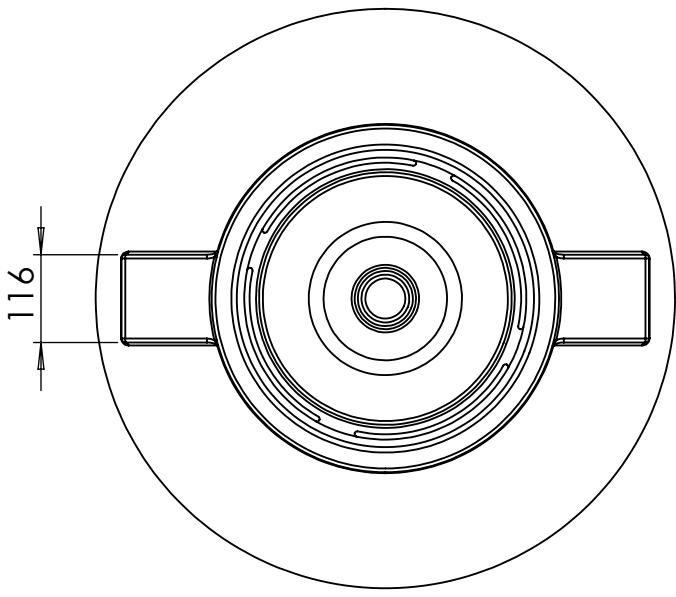
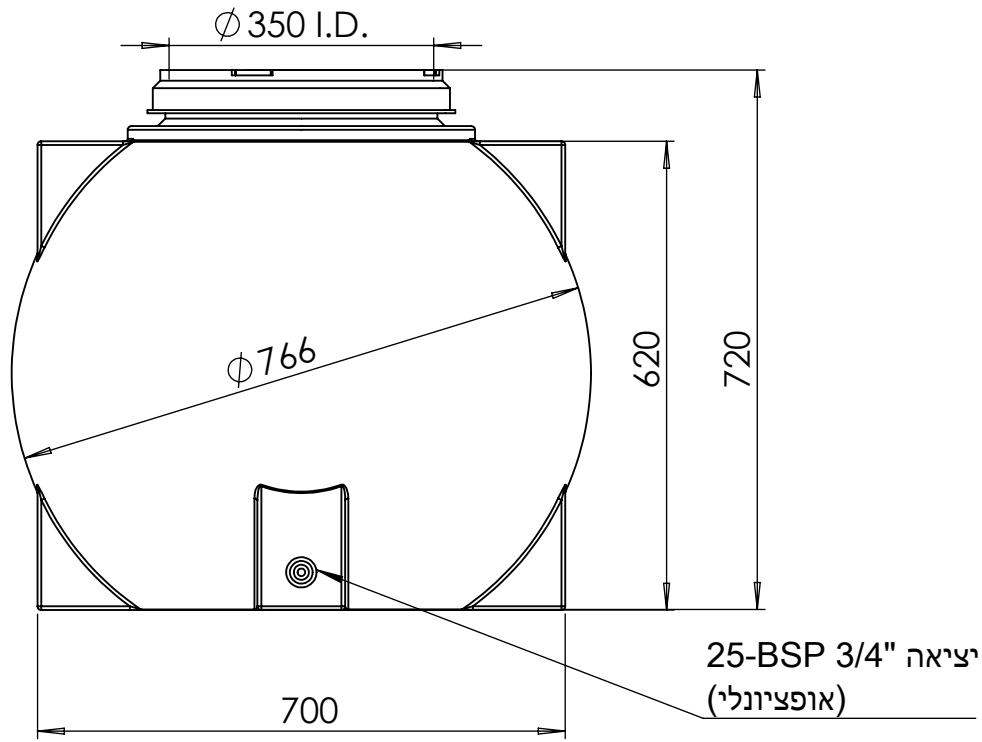
A

B

C

D

E



UNLESS OTHERWISE SPECIFIED:  
 DIMENSIONS ARE IN MILLIMETERS  
 SURFACE FINISH: N8  
 TOLERANCES: +/-2%



חופית קיבוץ כנרת עמק הירדן 1511800  
 04-6759530/1/2.ט.ב | [www.hofit.com](http://www.hofit.com) | [info@hofit.com](mailto:info@hofit.com)



	NAME	SIGN.	DATE	REV.
DRAWN	נמרוד עוזרי		25-Aug-20	A
CHK'D				
APPV'D				

מיכל כדורי בנפח 200 ליטר

FILE NAME: 6101-020B - 200L Water tank Ball shape

MATERIAL:	FINISH:	Remark:
PE		

DWG. NO. 00-6101-020B-A

CAT. NO. 6101-020B

\\fs2019\mutzarim\SOLID\1001-1100\1003\

SCALE:

SHEET 1 OF 1