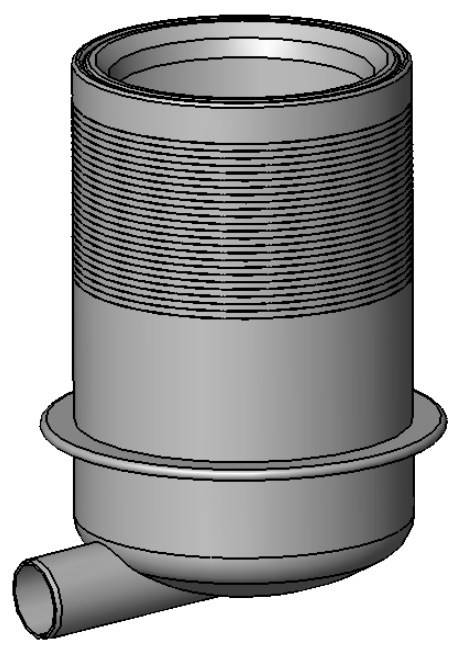
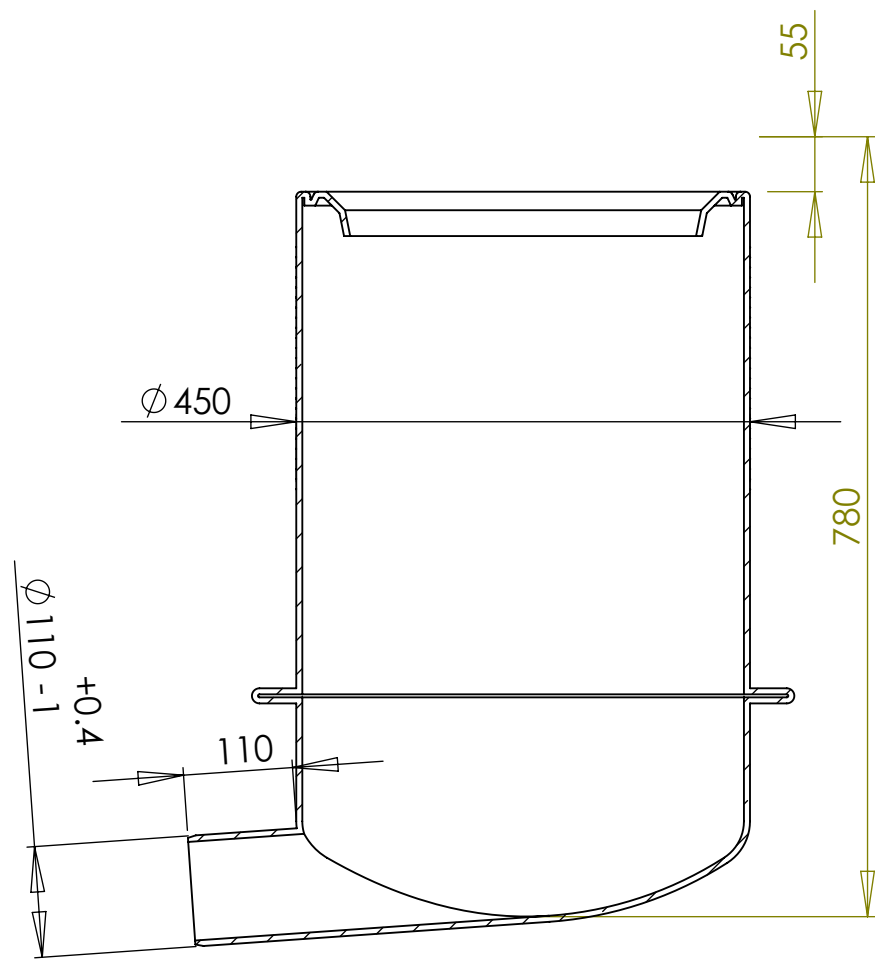
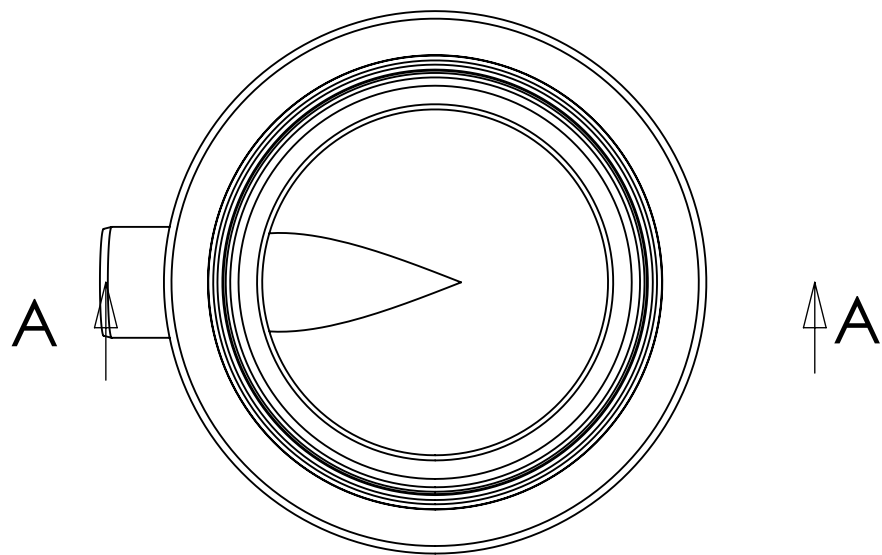


A
B
C
D
E



UNLESS OTHERWISE SPECIFIED:
 DIMENSIONS ARE IN MILLIMETERS
 SURFACE FINISH: N8
 TOLERANCES: +/-2%

חופית קיבוץ כנרת
 ד.ב. עמק הירדן 15118
 tel.+972-4-6759530/1/2 F.+972-4-6759518



	NAME	SIGN.	DATE	REV.
DRAWN	דרור ניר		22/02/2012	
CHK'D				
APPV'D				
Q.A				

110 70 45
 450 DIA. ROUND BOTTOM CHAMBER H.700 EXIT 110
 FILE NAME: Ass_45x78 Chamber complete

MATERIAL: FINISH: Remark:

DWG. NO.
 CAT. NO. 0204-BR474