

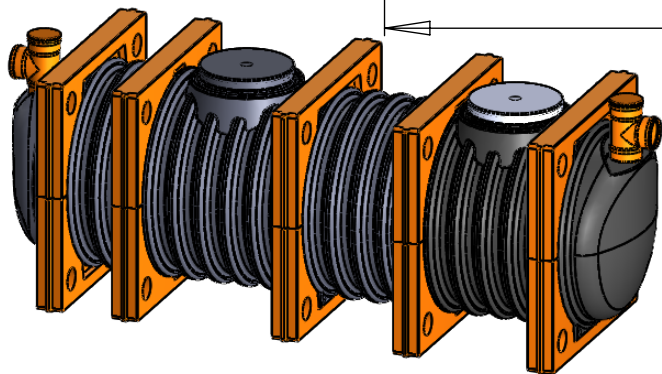
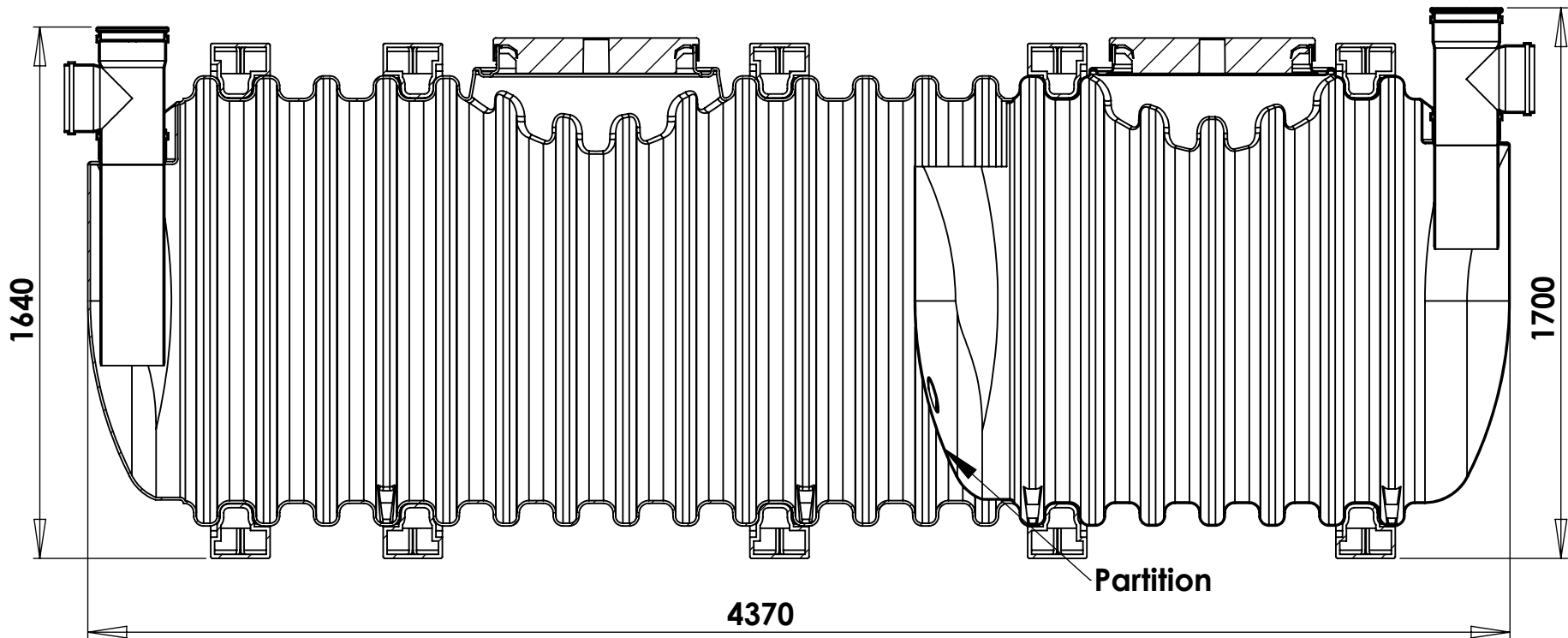
1 2 3 4 5 6

A

B

C

D



4370

SECTION A-A  
SCALE 1 : 20

UNLESS OTHERWISE SPECIFIED:  
DIMENSIONS ARE IN MILLIMETERS  
SURFACE FINISH: N8  
TOLERANCES: +/-2%

חופית קיבוץ כנרת  
ד.ב. עמק הירדן 15118  
tel.+972-4-6759530/1/2 F.+972-4-6759518



5500L Grease separator+5xStrength Ribs

	NAME	SIGN.	DATE	REV.
DRAWN	דרור ניר		12/02/2020	A
CHK'D				
APPV'D				
Q.A				

FILE NAME: **0213-GS55.R+5xStrength Ribs**

MATERIAL	FINISH	Remark:
PE		

DWG. NO.

CAT. NO. **0213-GS55.R**

מס קטלוגי	כניסה	יציאה
0213-GS554R	110 (4")	110 (4")
0213-GS556R	160 (6")	160 (6")
0213-GS558R	200 (8")	200 (8")