

1

2

3

4

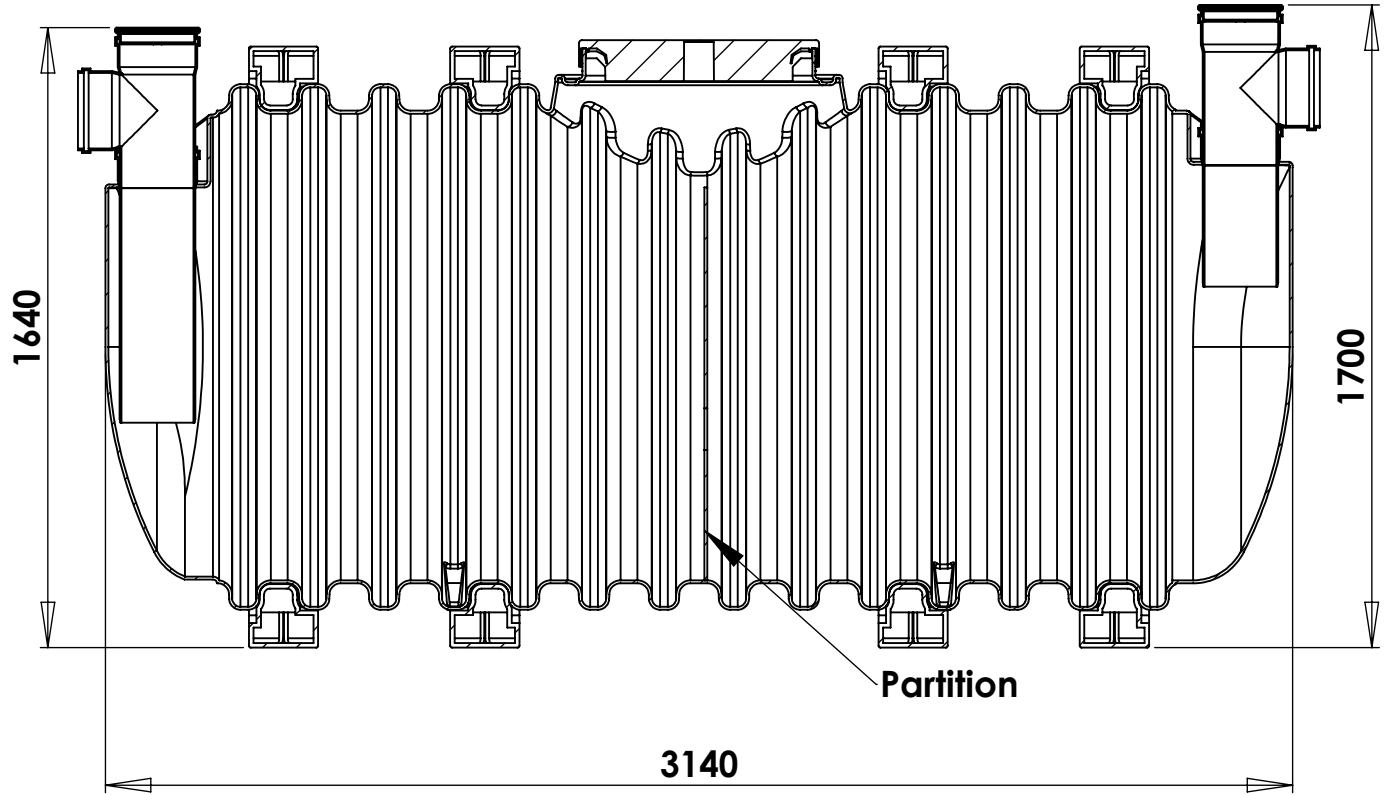
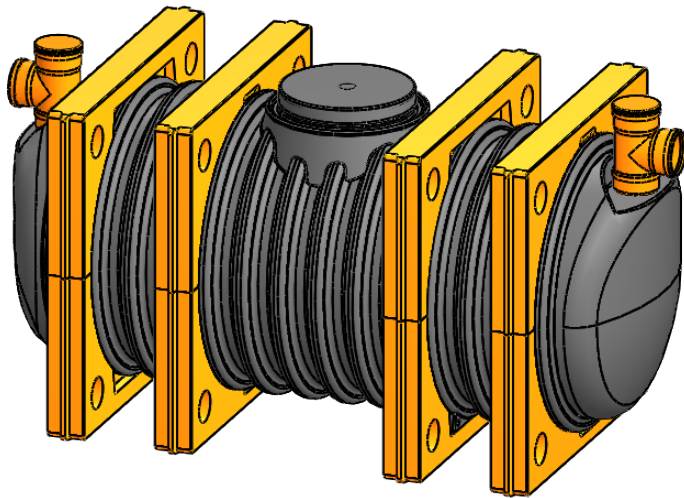
5

6

A

B

C



SECTION A-A  
SCALE 1 : 20

UNLESS OTHERWISE SPECIFIED:  
DIMENSIONS ARE IN MILLIMETERS  
SURFACE FINISH: N8  
TOLERANCES: +/-2%

**חופית קיבוץ כנרת**  
ד.ב. עמק הירדן 15118  
tel.+972-4-6759530/1/2 F.+972-4-6759518



3800L Grease separator+4xStrength Ribs

FILE NAME: **0213-GS38.R+4xStrength Ribs**

	NAME	SIGN.	DATE	REV.
DRAWN	דרור ניר		12/02/2020	A
CHK'D				
APPV'D				
Q.A				

DWG. NO.

CAT. NO. **0213-GS38.R**

MATERIAL	FINISH	Remark:
PE		

מס קטלוגי	כניסה	יציאה
0213-GS384R	110 (4")	110 (4")
0213-GS386R	160 (6")	160 (6")
0213-GS388R	200 (8")	200 (8")