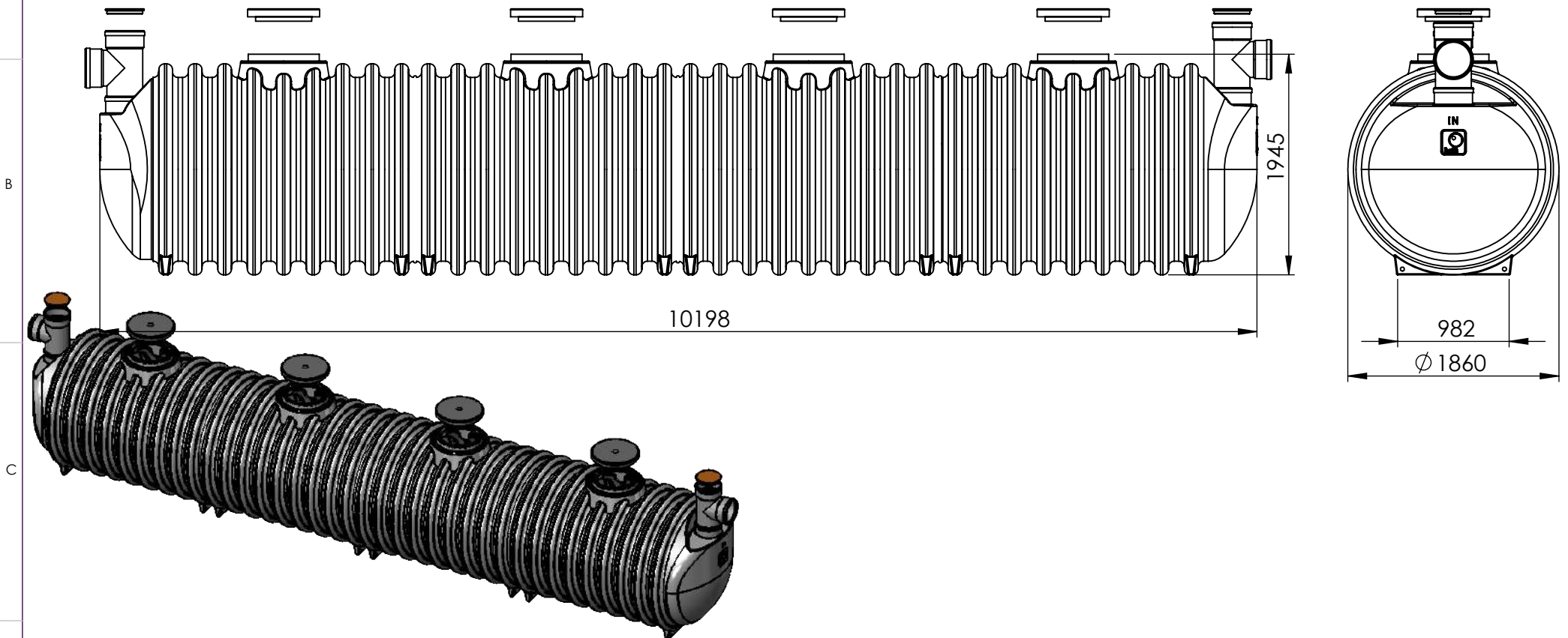


Cat_no.	Inlet Pipe	Outlet pipe
0213-GS210	None	None
0213-GS21004	110(4")	110(4")
0213-GS21006	160(6")	160(6")
0213-GS21008	180(8")	180(8")



21000L Grease seperator

HOFIT KIBBUTZ KINNERET Ltd.
 D.N. EMEK HAYARDEN 15118, ISRAEL
 tel.+972-4-6759530/1/2 F.+972-4-6759518



DRAWN Nimrod Ozery DATE 23/12/2018	MATERIAL: PE	REV. B	CAT. NO. 0213-GS2100XX DWG. NO.
Path: \\SHOFIT\mutzarim\הרכבה\תיקי הרכבה\SOLID\301-400\338\		FILE NAME: 0213-GS210XX - 21000L Grease seperator	SCALE: 1 : 1 SHEET 1 OF 2

1

2

3

4

5

6

A

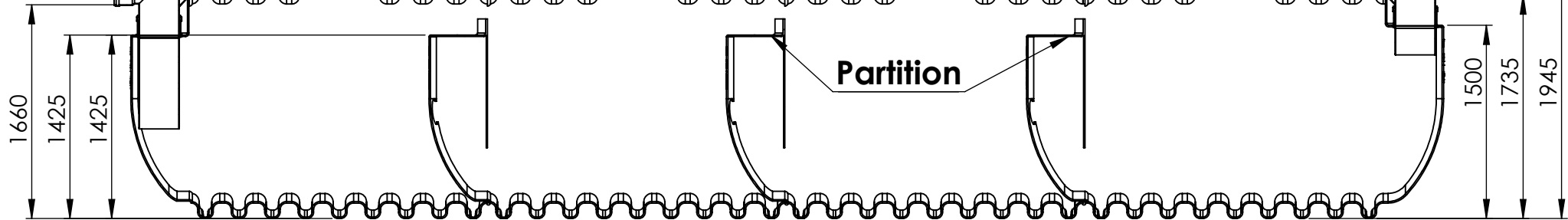
B

C

OUTLET

INLET

Partition



21000L Grease seperator

HOFIT KIBBUTZ KINNERET Ltd.
 D.N. EMEK HAYARDEN 15118, ISRAEL
 tel.+972-4-6759530/1/2 F.+972-4-6759518



Description

DRAWN Nimrod Ozery DATE 23/12/2018

MATERIAL: PE

REV. B

CAT. NO. 0213-GS2100XX DWG. NO.

Path: \\SHOFIT\mutzarim\הרכבה\תיקי הרכבה\SOLID\301-400\338\

FILE NAME: 0213-GS210XX - 21000L Grease seperator

SCALE: 1 : 1

SHEET 2 OF 2