

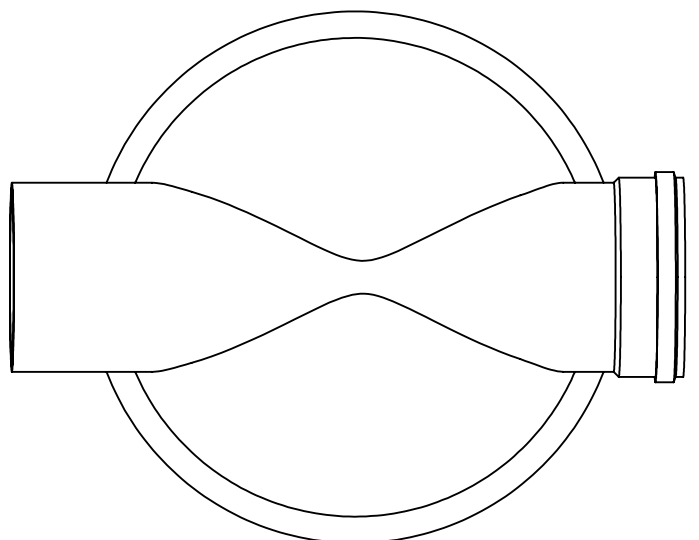
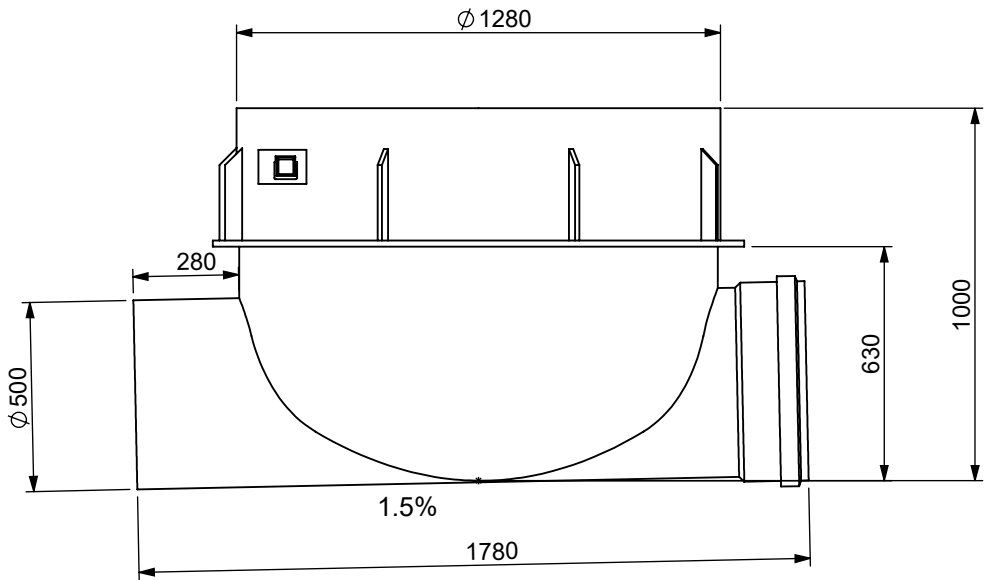
A

B

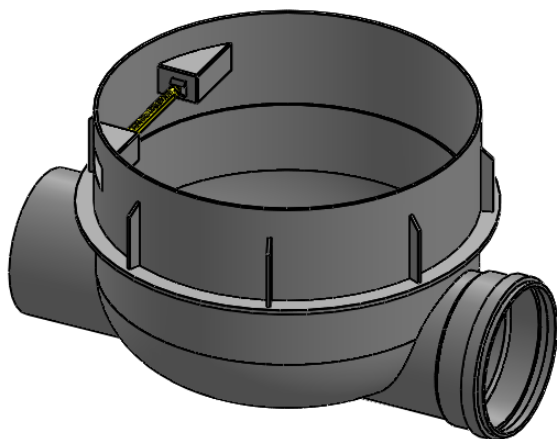
C

D

E



BOTTOM VIEW



UNLESS OTHERWISE SPECIFIED:
 DIMENSIONS ARE IN MILLIMETERS
 SURFACE FINISH: N8
 TOLERANCES: +/-2%



HOFIT KIBBUTZ KINNERET Ltd.
 D.N. EMEK HAYARDEN 15118, ISRAEL
 tel.+972-4-6759530/1/2 F.+972-4-6759518

	NAME	SIGN.	DATE	REV.
DRAWN	ILAN GIDONI		23/02/2017	A
CHK'D				
APPV'D				
Q.A				

1250 DIA. ROUND BASE, HEIGHT 1000
 1 INLET/OUTLET 500 DIA.
 WITH STEPS
 40 TONS

MATERIAL:	FINISH:	Remark:
PE		

FILE NAME:
 DWG. NO.
 CAT. NO. 0211-BRPS1210+50