

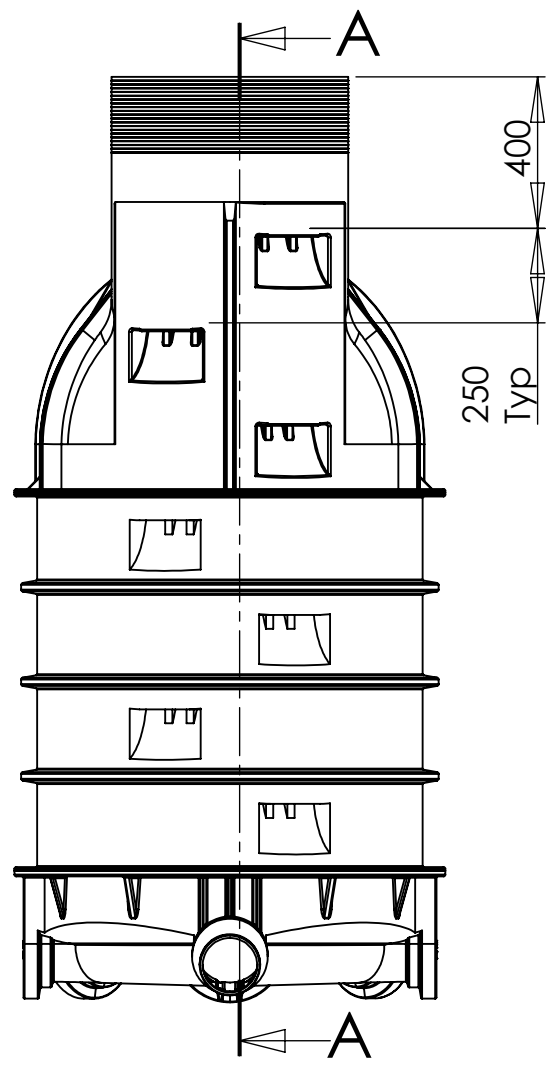
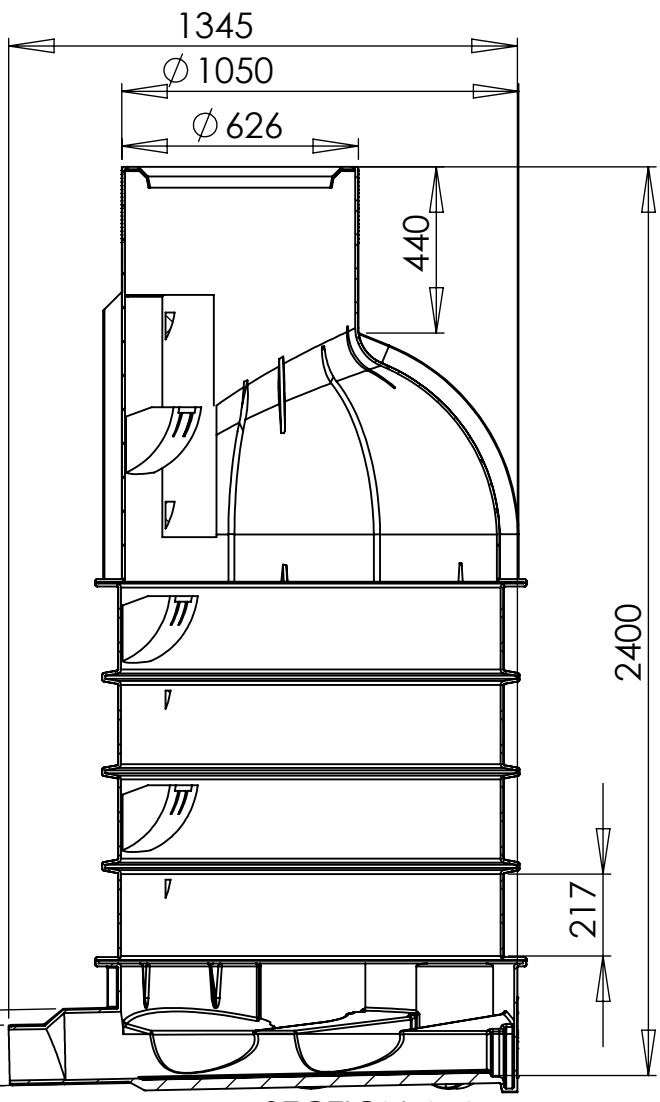
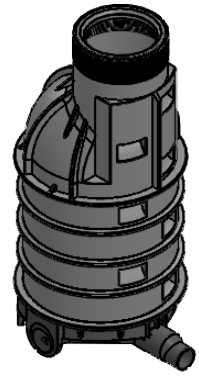
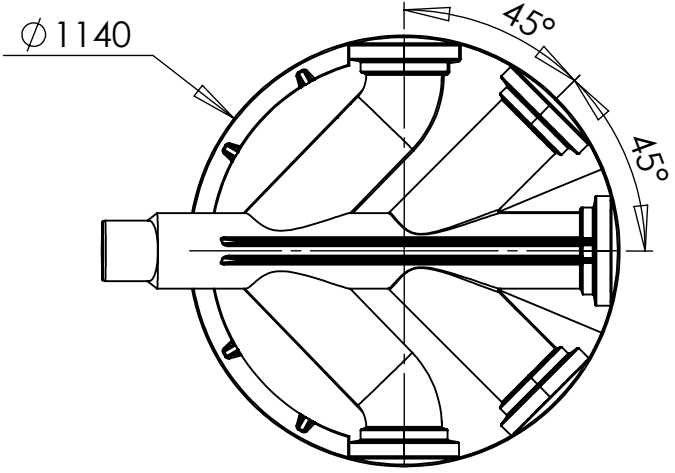
A

B

C

D

E



SECTION A-A
SCALE 1 : 20

© All rights reserved

This document is intellectual property of HofitUse only with explicit permission

UNLESS OTHERWISE SPECIFIED:
DIMENSIONS ARE IN MILLIMETERS
SURFACE FINISH: N8
TOLERANCES: +/-2%



HOFIT KIBBUTZ KINNERET Ltd.

tel.+972-4-6759530/1/2 | info@hofit.com | www.hofit.com



NAME	SIGN.	DATE	REV.
DRAWN Michael Altman		04/06/2019	A
CHK'D			
APPV'D			
Q.A			

1000 DIA. Zero level 8 Entres Complete
Inseption Chamber Height 2400
FILE NAME: 0207-CXZ1248 - C100 Excentric H240

MATERIAL: PE
FINISH:
Remark:

DWG. NO. 0207-CXZ1248-E
CAT. NO. 0207-CXZ1248