

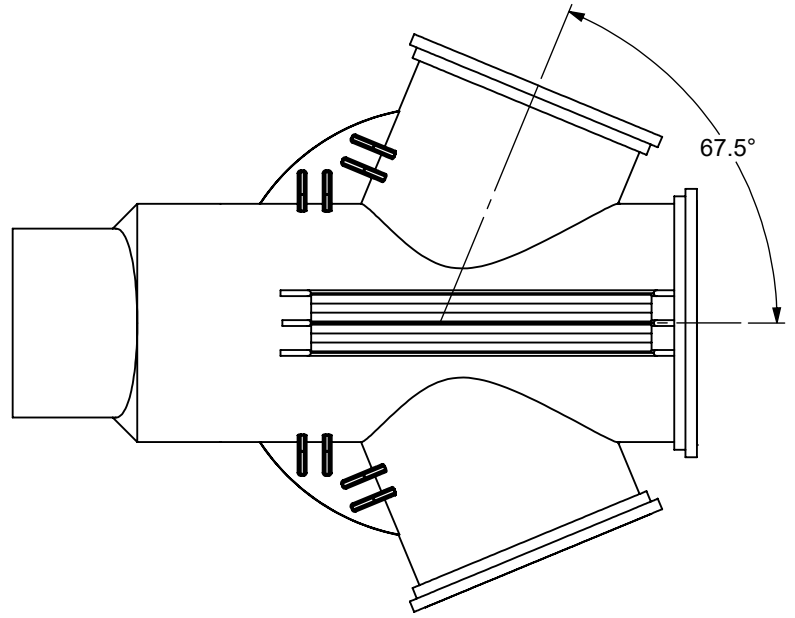
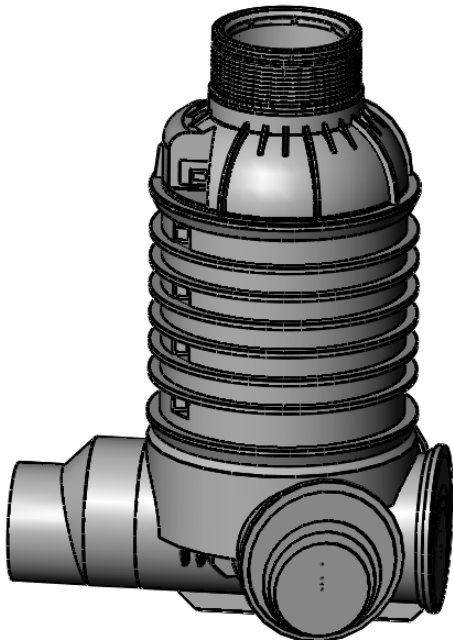
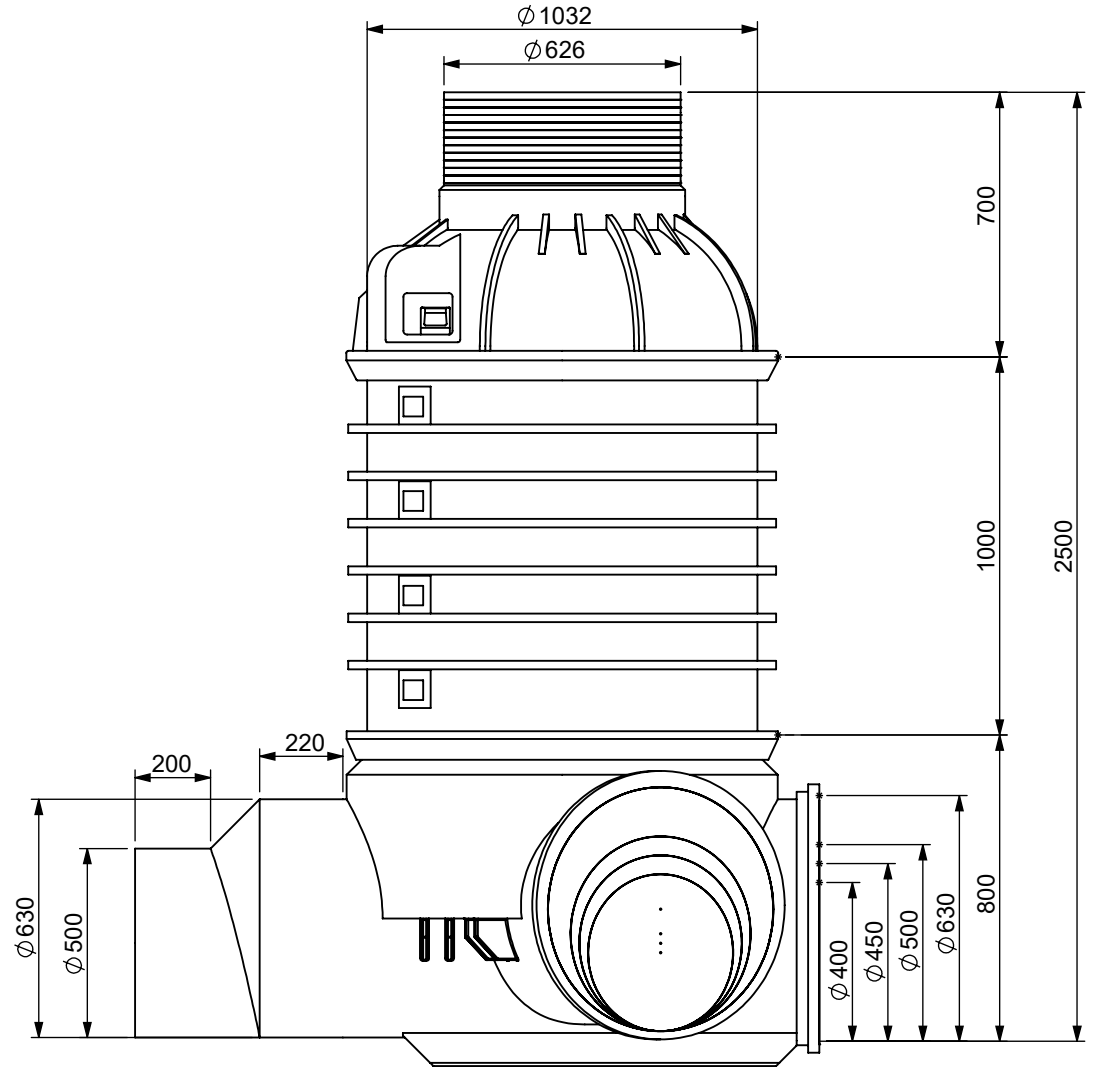
A

B

C

D

E



UNLESS OTHERWISE SPECIFIED:
 DIMENSIONS ARE IN MILLIMETERS
 SURFACE FINISH: N8
 TOLERANCES: +/-2%



HOFIT KIBBUTZ KINNERET Ltd.
 D.N. EMEK HAYARDEN 15118, ISRAEL
 tel.+972-4-6759530/1/2 F.+972-4-6759518

	NAME	SIGN.	DATE	REV.
DRAWN	ILAN GIDONI		19/02/2017	A
CHK'D				
APPV'D				
F Q.A				

1000 DIA. INSPECTION CHAMBER HEIGHT 2500 WITH STEPS
3 INLETS MAX. 630 DIA. 1 OUTLET 630/500 DIA.
BASE SPECIAL THICKNESS

MATERIAL:	FINISH:	Remark:
PE		

FILE NAME:
 DWG. NO.
 CAT. NO. **0207-3CPS12563ER**