

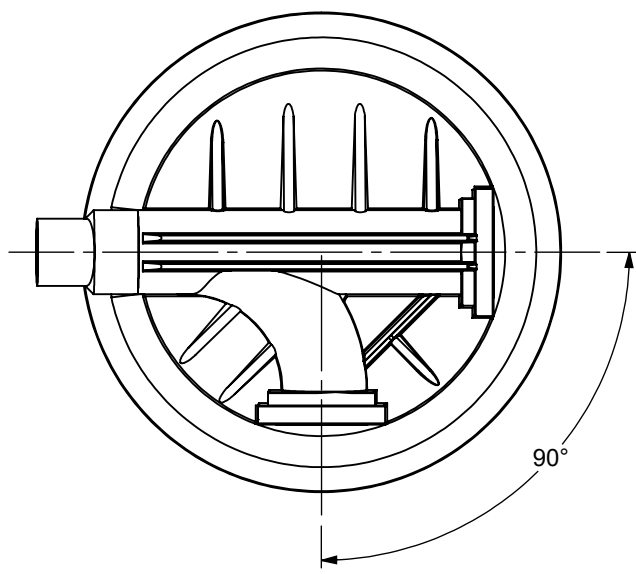
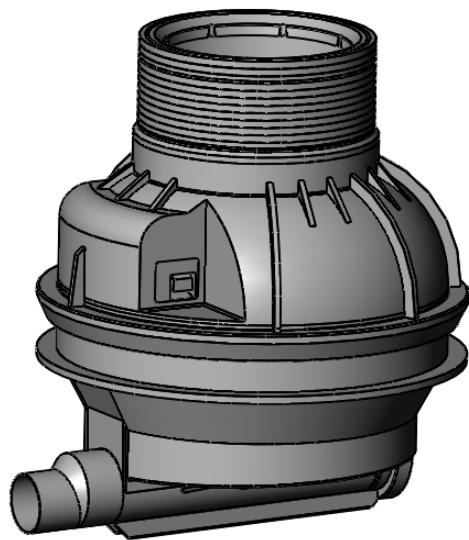
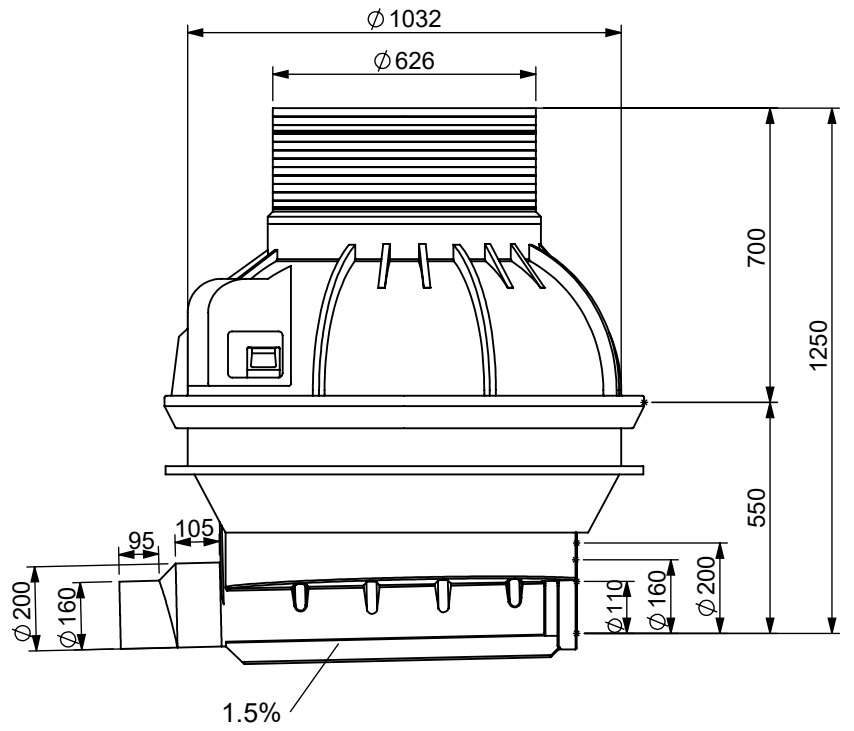
A

B

C

D

E



BOTTOM VIEW

UNLESS OTHERWISE SPECIFIED:  
 DIMENSIONS ARE IN MILLIMETERS  
 SURFACE FINISH: N8  
 TOLERANCES: +/-2%



**HOFIT KIBBUTZ KINNERET Ltd.**  
 D.N. EMEK HAYARDEN 15118, ISRAEL  
 tel.+972-4-6759530/1/2 F.+972-4-6759518

	NAME	SIGN.	DATE	REV.
DRAWN	ILAN GIDONI		14/02/2017	A
CHK'D				
APPV'D				
F Q.A				

1000 DIA. INSPECTION CHAMBER HEIGHT 1250  
 STRAIGHT CANAL+ 90° RIGHT CANAL  
 BASE SPECIAL THICKNESS

MATERIAL:	FINISH:	Remark:
PE		

FILE NAME:  
 DWG. NO.  
 CAT. NO. 0207-2RCPS1128ER