

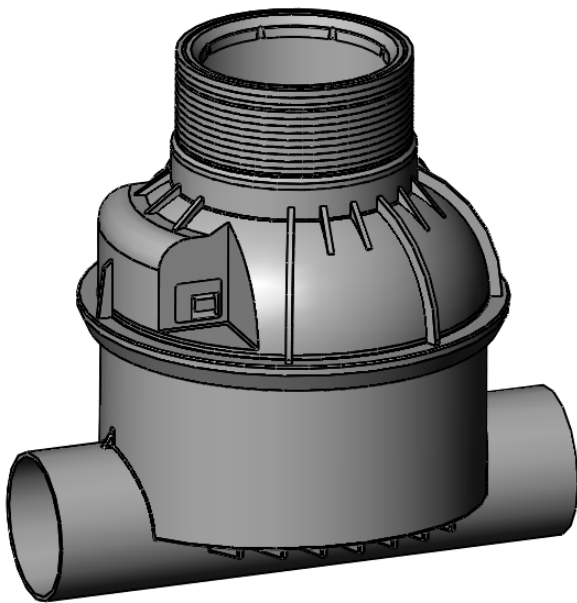
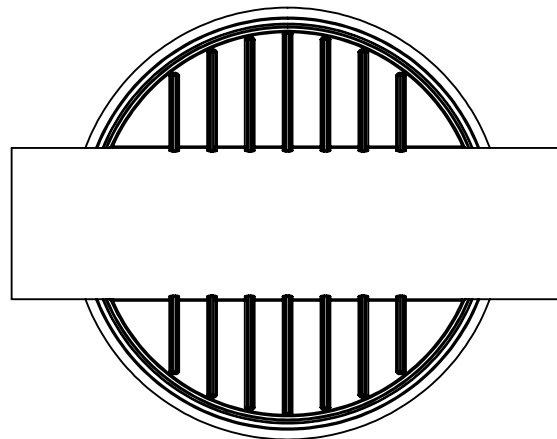
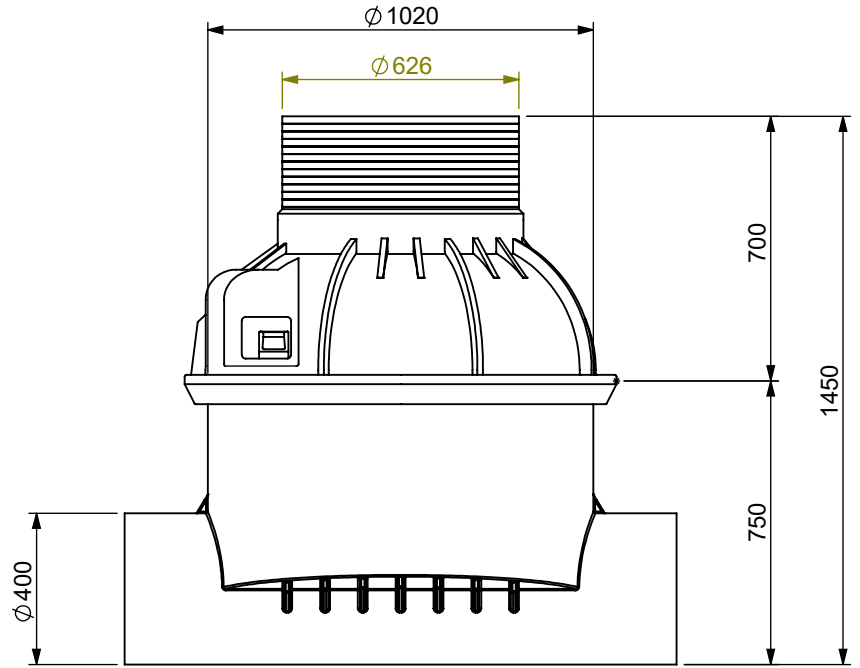
A

B

C

D

E



UNLESS OTHERWISE SPECIFIED:
 DIMENSIONS ARE IN MILLIMETERS
 SURFACE FINISH: N8
 TOLERANCES: +/-2%



HOFIT KIBBUTZ KINNERET Ltd.
 D.N. EMEK HAYARDEN 15118, ISRAEL
 tel.+972-4-6759530/1/2 F.+972-4-6759518

	NAME	SIGN.	DATE	REV.
DRAWN	ILAN GIDONI		12/02/2017	A
CHK'D				
APPV'D				
F Q.A				

**1000 DIA. INSPECTION CHAMBER HEIGHT 1450
 WITH STEP
 1 CANAL 400 DIA.
 BASE SPECIAL THICKNESS**

MATERIAL:	FINISH:	Remark:
PE		

FILE NAME:	DWG. NO.	SCALE: 1 : 1
	CAT. NO. 0207-1CPS11440ER	SHEET 2 OF 2